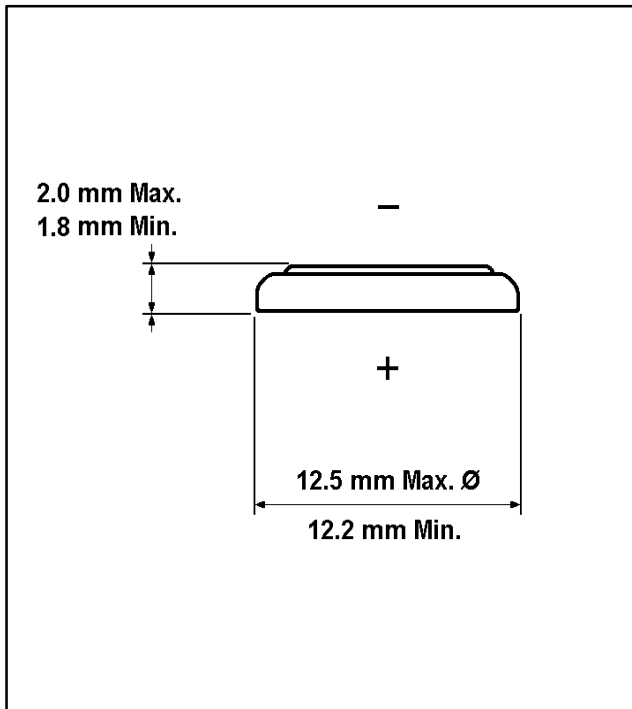


## Lithium Manganese Dioxide Battery

# CR1220



### SPECIFICATIONS

<b>Minimum No Load Voltage:</b>	3.1 V
<b>Minimum On Load Voltage:</b>	2.1V on 470Ohms at 1000

<b>Minimum Life</b>	564 H 4.7k Ohms Hr/Day 2 V
---------------------	-------------------------------

<b>Rated Capacity</b>	34 mAh on 4.7kOhms to 2V
-----------------------	-----------------------------

<b>Volume</b>	.25 cm <sup>3</sup>
---------------	---------------------

<b>Weight</b>	.8g
---------------	-----

Physical Size in mm	Max	Min
Height/Length	2	1.8
Width/Diameter	12.5	12.2
Depth		

### Typical Discharge Characteristics

